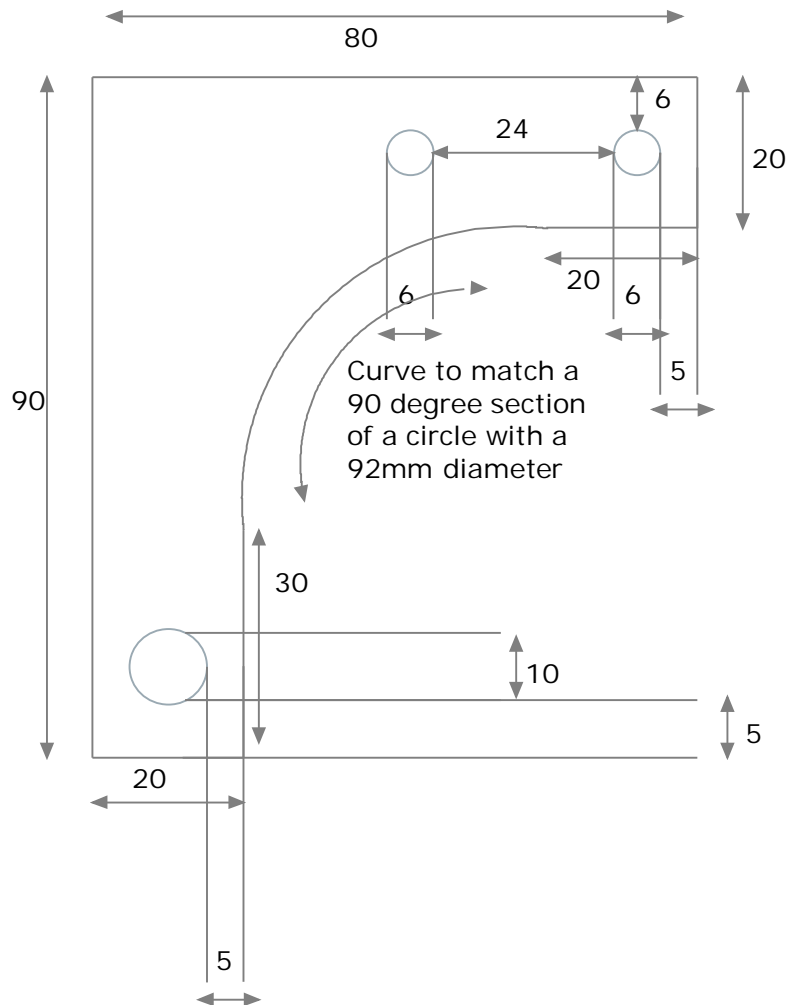


TURN SIGNAL RELOCATION BRACKETS

All measurements are in millimetres.

Internal curve to match diameter (Approx 92mm)



Made with a Trial
Copy of SmartDraw

Buy SmartDraw! - purchased copies print this document without a watermark.
Visit www.smartdraw.com or call 1-800-768-3729.

Designed by Ron Meikle 2010.